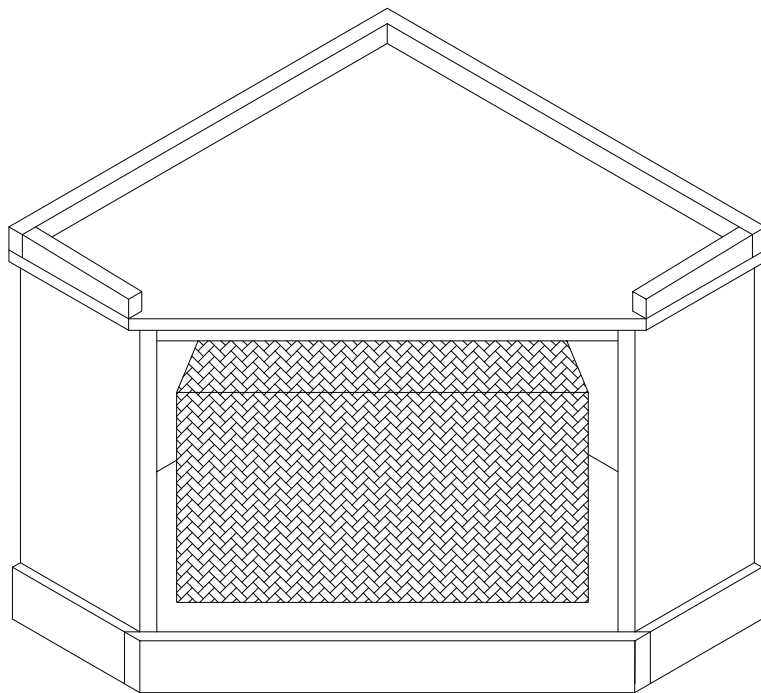
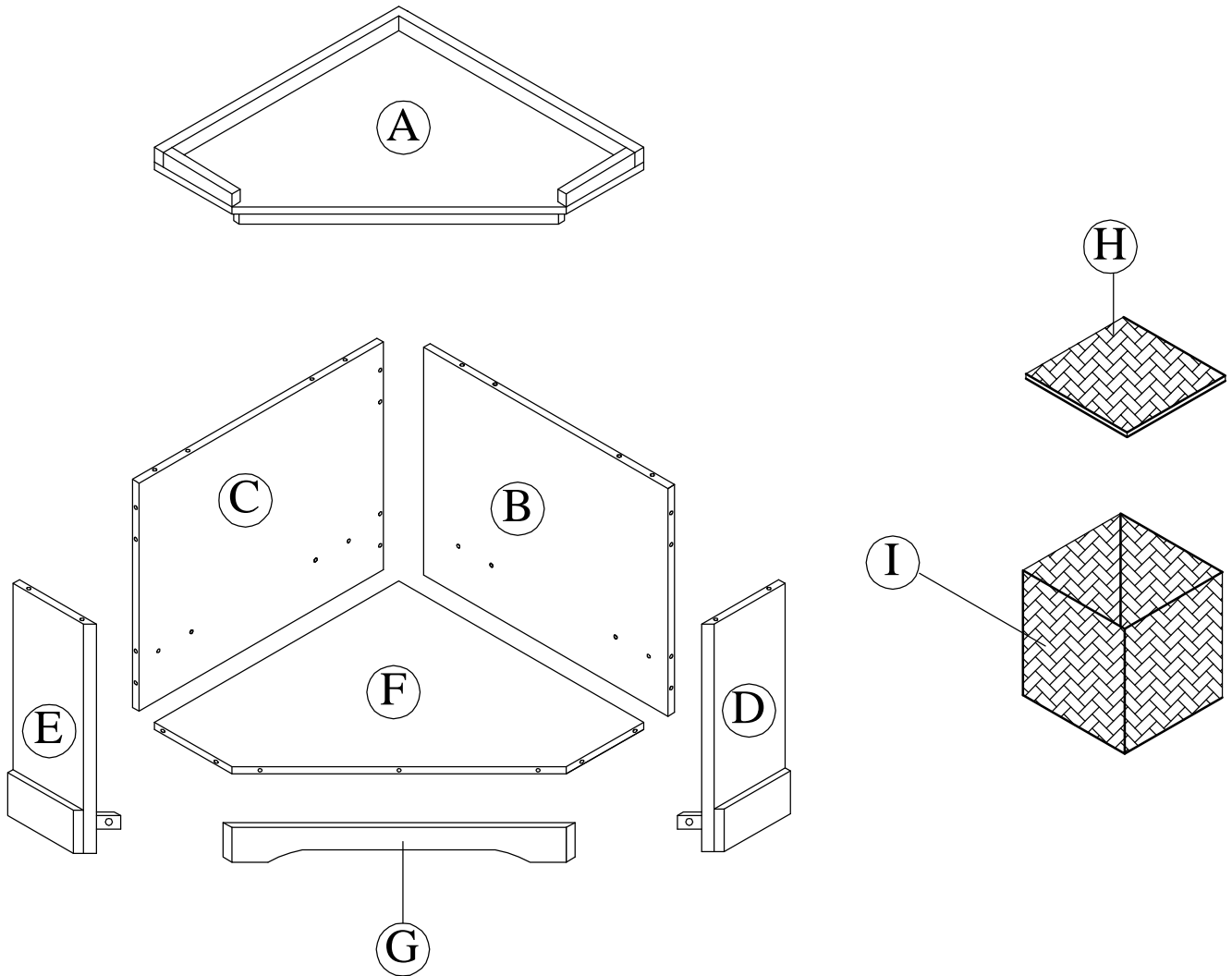


# Assembly Instruction

## Corner Storage Bench

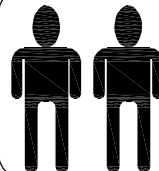
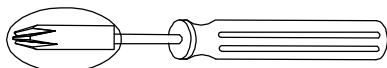


# Parts List



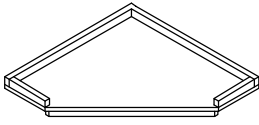
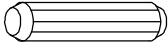
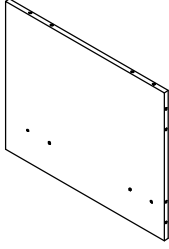

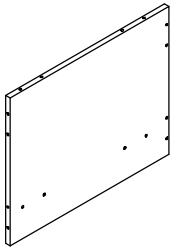

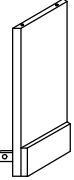
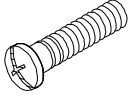
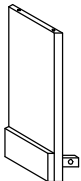

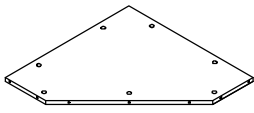
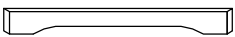

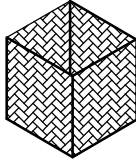
- NOTE:**
- (1) Read this instruction manual and keep it for reference.
  - (2) Assemble on soft surfaces to prevent damage to the product finish.
  - (3) Make sure all parts are included before assembly.

Tool required: Screwdriver (not included)

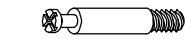


\*Recommend that two people assemble the product.

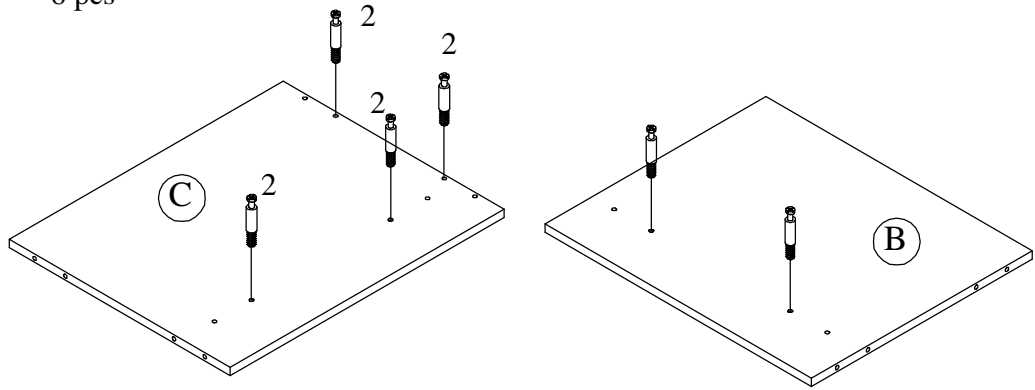
# Parts List

A	Top panel	1pc		1	Wooden dowel	20pcs	
B	Right back panel	1pc		2	Cam lock screw	19pcs	
C	Left back panel	1pc		3	Cam lock	19pcs	
D	Right side panel	1pc		4	Bolt	2pcs	
E	Left side panel	1pc		5	Wrench	1pc	
F	Bottom panel	1pc					
G	Rail	1pc					
H	Basket bottom	1pc					
I	Basket side	1pc					

**STEP 1:** Screw cam lock screw(2) to back panel(B & C).



- 2 Cam lock screw  
-6 pcs



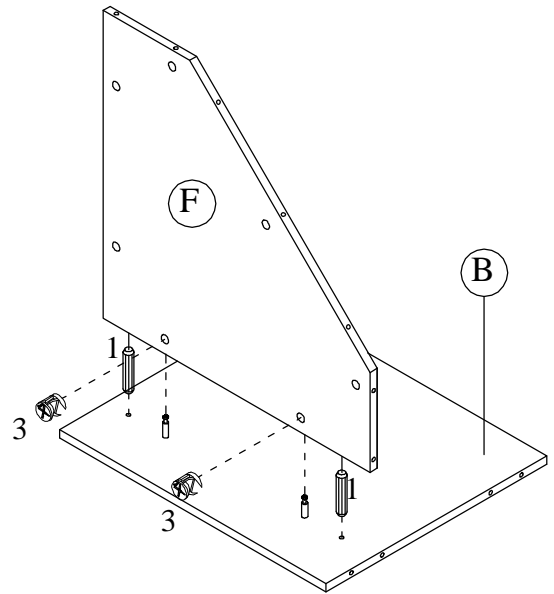
**STEP 2:** Attach bottom panel(F) to right back panel(B) by using camlock system on last page.



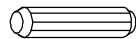
- 1 Wooden dowel  
-2 pcs



- 3 Cam lock  
-2 pcs



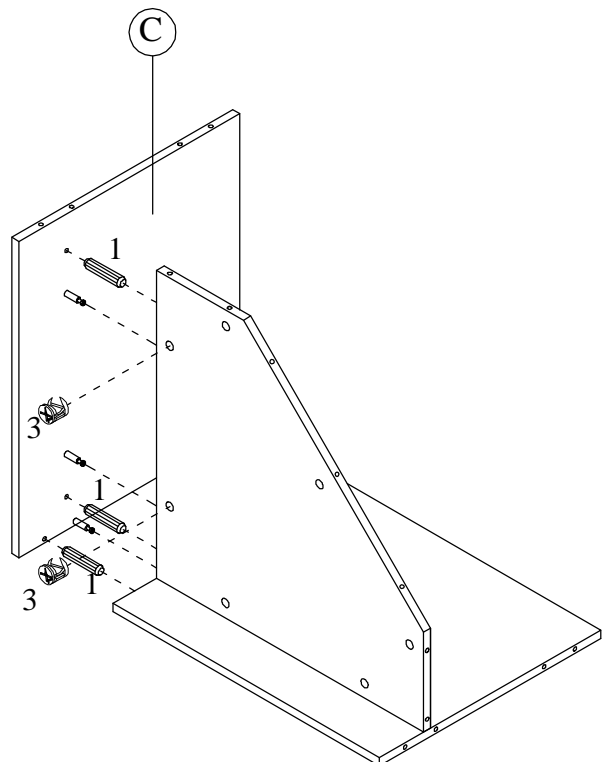
**STEP 3:** Attach left back panel(C) to right back panel(B) and bottom panel(F) by using camlock system on last page.



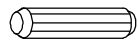
- 1 Wooden dowel  
-4 pcs



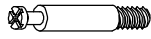
- 3 Cam lock  
-2 pcs



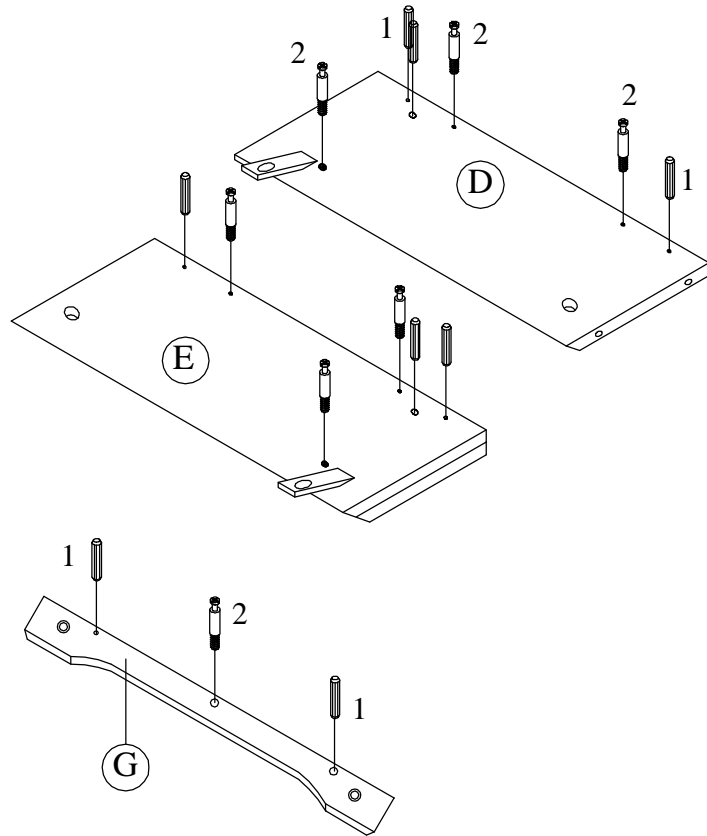
**STEP 4:** Screw cam lock screw(2) to side panel(D & E) and rail(G).



- 1 Wooden dowel  
-8 pcs



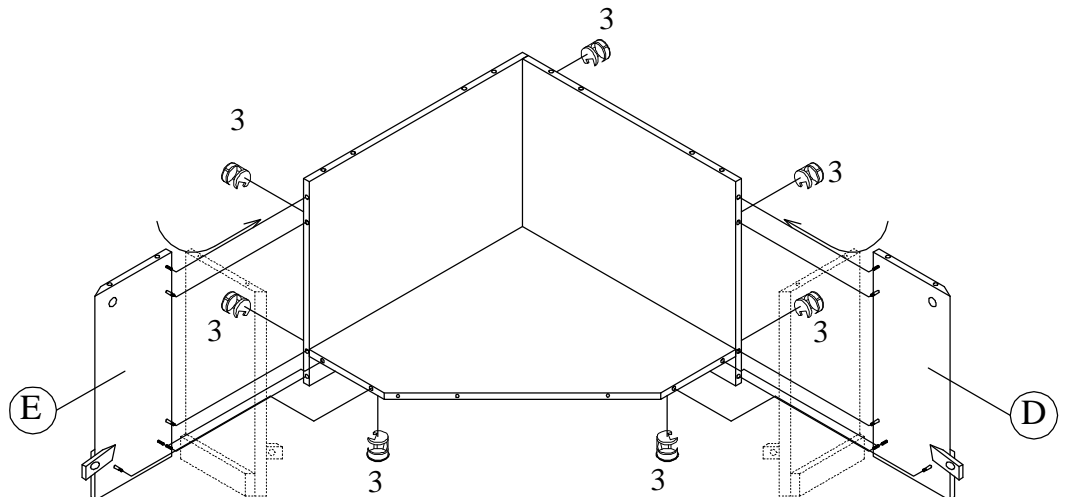
- 2 Cam lock screw  
-7 pcs




**STEP 5:** Attach side panel(D & E) to the unit by using camlock system.

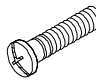


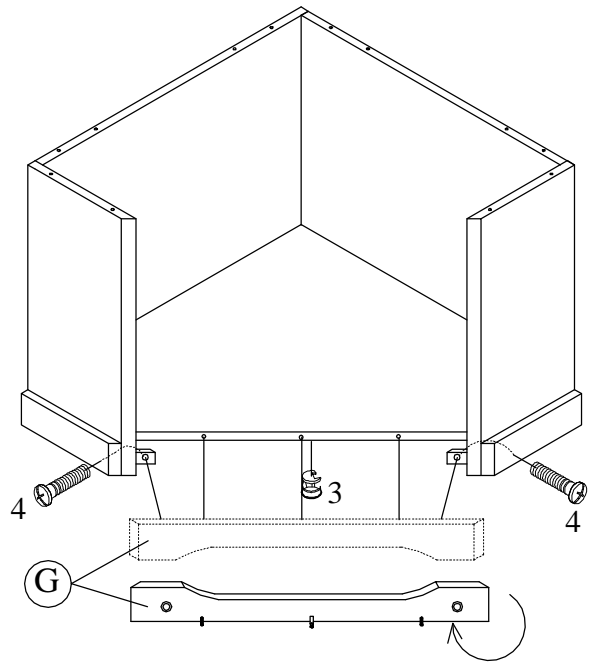
- 3 Cam lock  
-8 pcs



**STEP 6:** Attach rail(G) to the unit by using camlock system.

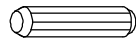
- 3  Cam lock  
-1 pc

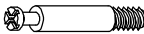
- 4  Bolt  
-2 pcs




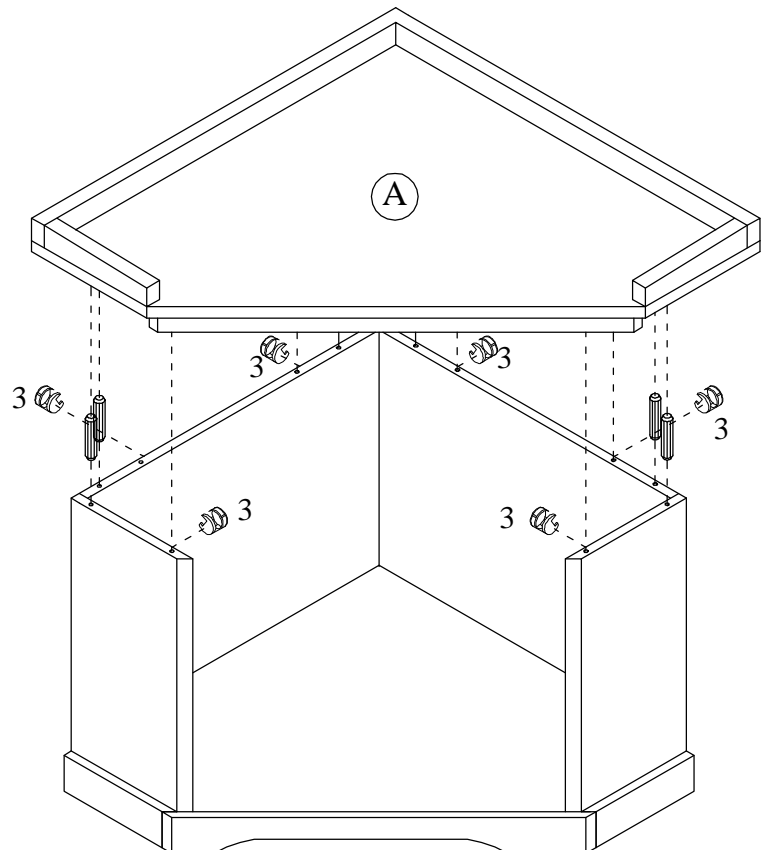
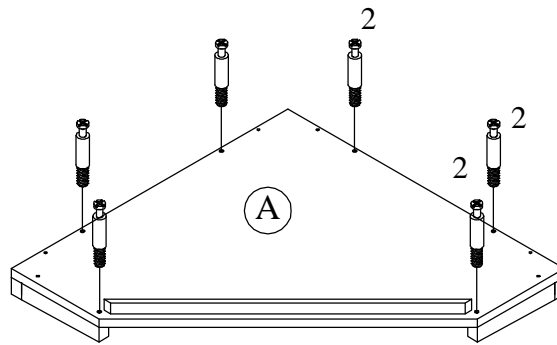
**STEP 7:** Screw cam lock screw(2) to top panel.

Attach top panel(A) to the unit by using camlock system.

- 1  Wooden dowel  
-6 pcs

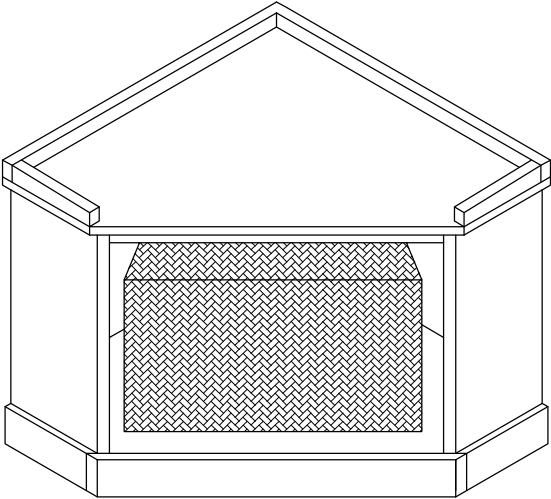
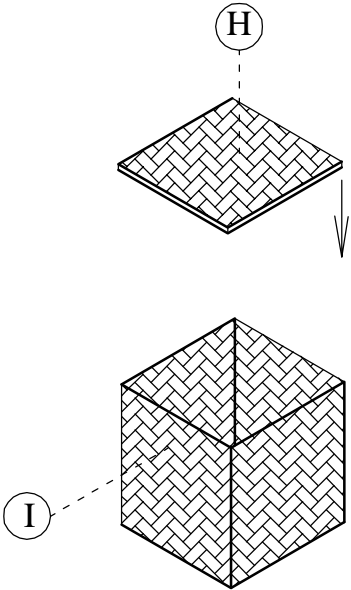
- 2  Cam lock screw  
-6 pcs

- 3  Cam lock  
-6 pcs



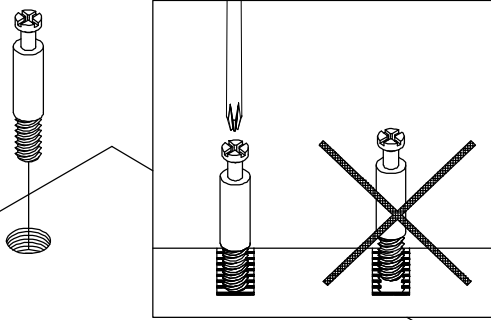
**STEP 8:** Attach basket bottom(H) to basket side(I).

Install the basket .



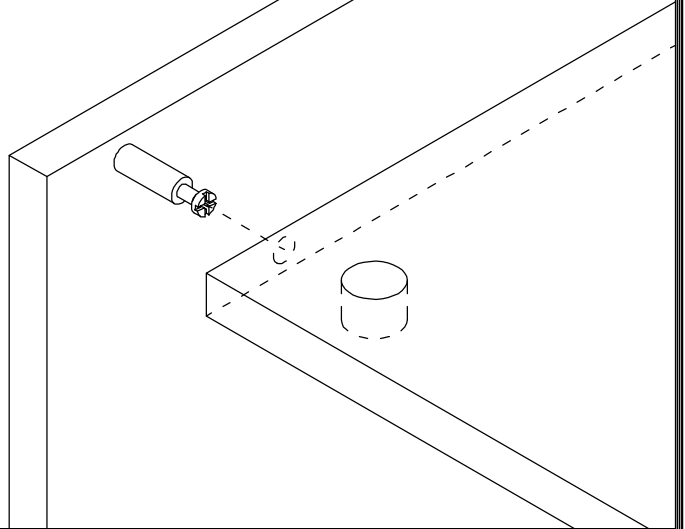
# CAMLOCK SYSTEM

To the end of white insert



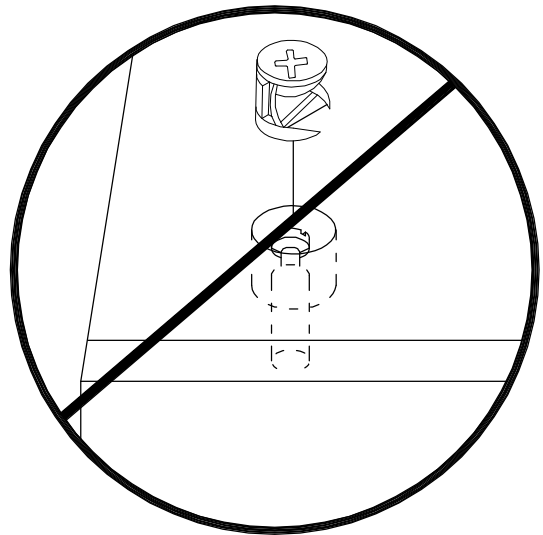
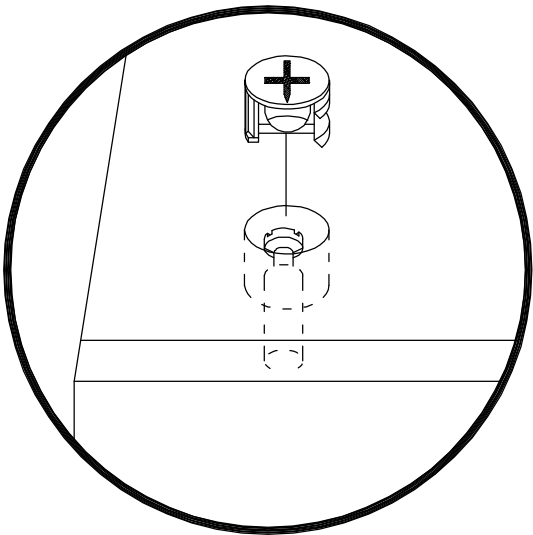
1

Press panels together



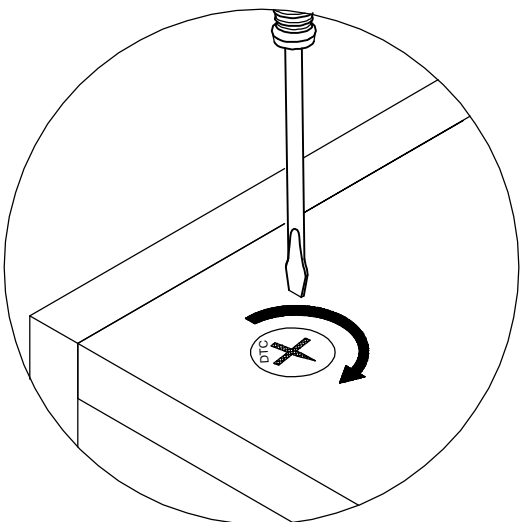
2

Opening on cam lock should face the hole in edge of panel



3

Turn cam lock clockwise 100~180°



4